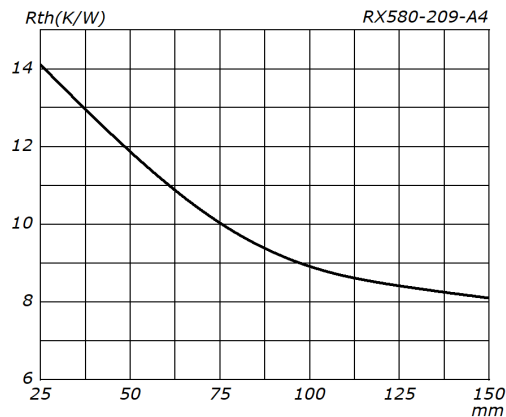
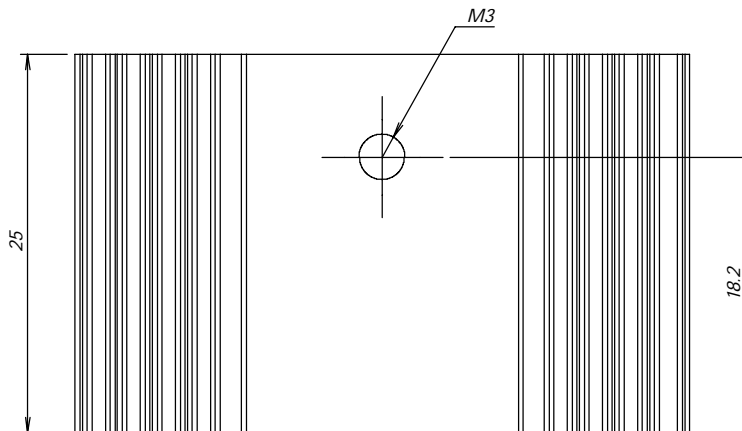
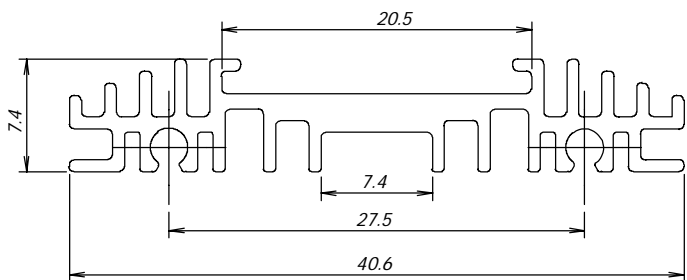


2	1
Versions	Notes



Flow Process List	
1	
2	
3	
4	
5	
6	
7	
8	

机械加工尺寸容许公差	
0 ~ 6	±0.1
6 ~ 30	±0.2
30 ~ 120	±0.3
120 ~ 400	±0.8
角度	±1°

Description Heatsink for SMT PCB mounting for TO 220				PN RX580-209-A1		Units:mm
CAT		Area	114.75 mm ²	Drw RX580-209-00		ISO2768-M
Design	LXG	Perimeter		Material AL6063-T5	Finish black anodize	
Approval		Scale	2:1	Ref	Weight(g)	0.31 kg/meter
Date	2026-07-09 星期四	Mount		Rev 1	Sheet	1 A4

仁信精工实业有限公司
 Renxin-Seiko Industry Co., Ltd
 T:+86 769 8182 2159 F:+86 769 8182 2157
[Http://www.renxin-precision.com](http://www.renxin-precision.com)